

DIGITAL CLOCK

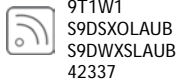
Part 41357G & 61357G



SIMPLE : SMART™

TIME SIGNAL

The 41357G/61357G requires time signal from a Master Clock. The clock may be connected to any of the following Pyramid Time System devices to receive time signal:



9T1W1
S9DSXOLAUB
S9DWSLAUB
42337

TimeTrax Sync 902-928 MHz RF Wireless Shelf Transmitter
TimeTrax Sync 902-928 MHz Secondary Shelf Transmitter
TimeTrax Sync 902-928 MHz RF Wireless Wall Transmitter
TimeTrax Sync 902-928 MHz Secondary Wall Transmitter



4000/4000HD
5000/5000HD

Auto Totalling Time Clocks
Auto Totalling Time Clocks



TTELITEEK
TTPROXEK

TimeTrax Elite Biometric Time & Attendance System
Time Trax Elite Proximity Time & Attendance System



7000

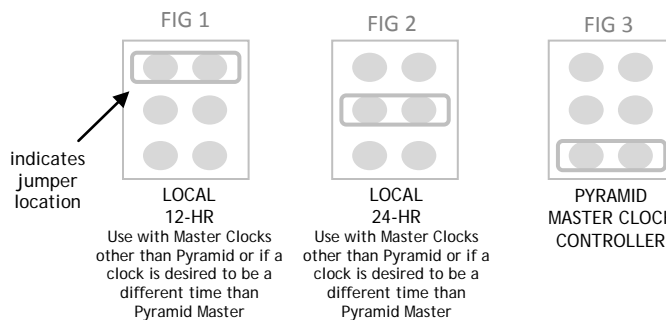
7000 Master Clock Controller¹

¹The 7000 Master Clock Controller is able to time correct up to 100 clocks. The Pyramid Master Clock Controller Booster (#7050) in conjunction with the Master Clock Controller is able to control up to 100 additional clocks.

NOTE: The 41357G/61357G may receive its time source from any Master Clock System that supplies BCD, 58th minute (synchronous wired) correction, or 59th minute correction. Pyramid Time Systems strongly recommends using the Pyramid 7000 Master Controller, which sends an update correction signal every minute utilizing a BCD correction method. Most other Master Clock Systems which utilize a 58th or 59th minute correction, will update the clock once or twice daily. Clocks using a 58th or 59th minute correction may be out of synchronization for up to 24 hours versus the Pyramid Time System, which may only be out of synchronization for up to one minute following a power interruption.

TIME FORMAT SETTINGS

To change time format setting, locate rectangular hole in back of clock that contains 6 pins with a black jumper installed. Reposition the jumper according to desired time format settings as shown in Figure 1-3.



INSTALLATION

USING PYRAMID TIME SYSTEM DEVICE

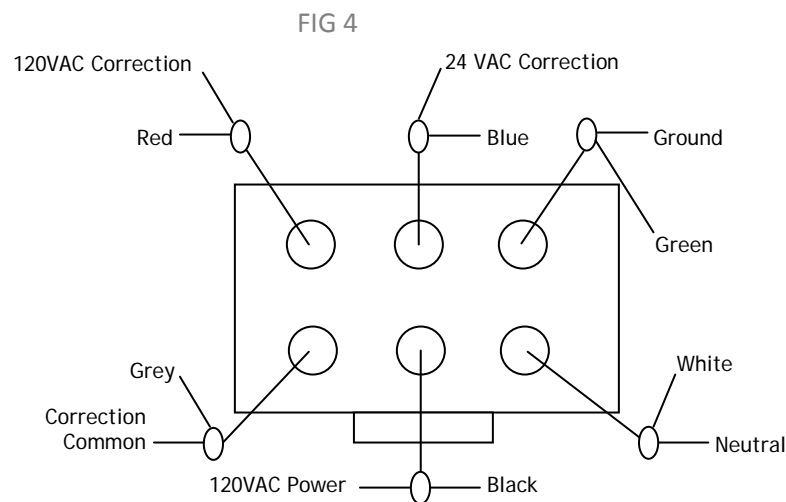
- ① Connect Correction/Power Harness to 6 pin Molex on back of clock. The clock is powered through 6 pin Molex connector. Hardwire black & white wires to 120VAC source, and green wire to ground.
- ② Insert RJ45 BCD signal cable from Pyramid TimeTrax Time & Attendance System, Pyramid 7000 Master Control System, or TimeTrax Sync 902-928MHz RF Wireless Transmitter (AUX out from TTSync only) into RJ45 connector.
- ③ Mount clock on wall using mounting holes located on back of clock. Attach security mounting bracket to single or double electrical work box, then attach clock to bracket using the four hooks.

NOTE: After system is set up and power is applied, the 41357G/61357G clock will take up to 2 minutes to display correct time. If there is not a correction, check that all connections are secure.

INSTALLATION

USING MASTER CONTROL SYSTEMS OTHER THAN PYRAMID

- ① Connect power and signal leads per Figure 4.
- ② Mount clock on wall using mounting holes located on back of clock. If clock is hardwired, attach security mounting bracket to single or double electrical work box, then attach clock to bracket using four hooks.
- ③ The 41357G/61357G clock will synchronize on BCD correction or 58th or 59th minute of the hour depending on setting of Master Clock Control System.



TECHNICAL SUPPORT

If you have any questions,
please contact technical support at 888.479.7264 x1 during
regular business hours
Monday - Friday
8:00am-5:00pm EST
or email us @ custsvc@pti.cc



WARRANTY

The manufacturer warrants this equipment to the original user against defective material or workmanship for a period of 3 years from the date of purchase.

The manufacturer's responsibility under this Warranty is limited to the repair or replacement of the defective part or parts. Pyramid Time Systems reserves the right to determine whether the parts failed due to defective material, workmanship, or other causes. Failure caused by accident, alteration, misuse or improper packaging of returned unit is not covered by this Warranty. Users in countries other than the USA should contact the Dealer from whom the unit was purchased. The rights under this Warranty are limited to the original user and may not be transferred to subsequent owners.