

## SETTING YOUR CLOCK

1. Insert the key into the clock's lock, make a 90 degree turn to the right and open the clock case.
2. If you need to set the time, look for a round opening to the right of letter H, (fig. 1.). Insert the hands key (tip only) into its center cavity and rotate to the right or left until you set your local time.
3. Put the clock on a flat surface, remove the dial carrier (DC) by pulling upward, (fig. 1). Fully press the detector lever stop (DLS), to deactivate the detector pin (DP). The DLS is located to the right of letter P, (see figure 1).
4. Maintaining finger pressure on the (DLS), insert one paper dial in the space between the full plate (FP) and the half plate (HP) (fig. 1). Make sure the three holes on the paper dial coincide and fit with the two small side pins and central shaft of the base dial carrier (BDC) (fig. 1).
5. Insert the dial carrier onto the base dial carrier, making the pins and central shaft coincide; push down lightly until you hear a click.

### IMPORTANT NOTE:

REMEMBER AT ALL TIMES DURING PROCEDURES 3,4,5, AND 6 TO MAINTAIN FINGER PRESSURE ON THE DETECTOR LEVER STOP (DLS).

6. To set the correct paper dial time, turn the dial carrier right or left until the correct hour and minutes (your local time in military hours) coincide with the time indicator ("T"), please see fig. 1.
7. Release the pressure on the DLS. The detector pin (DP) will puncture the paper dial indicating your clock has been set to start operating at the hour shown in front of the puncture; close the clock case and turn the lock key 90 degrees to the left. Your clock is now ready for operation. If additional punctures appear at different times from the ones you witnessed yourself, it will mean your clock has been tampered. We recommend only one person (different from the security guard) to be in charge of setting the clock.

### PAPER DIALS

PD-72 Paper dials are available packed in quantities of 122 dials per box. Each dial has a duration of 72 hours (3 days).

### RECORDING STATIONS

Your clock can operate with up to a maximum of 15 stations numbers or 15 station letters. These will conform the tour sites which you want your security guard to visit during his rounds. Stations should be installed precisely in places where you require the most attention by your guard. Each station is composed by a case with lock, its lock key, and a recording key with chain. All recording stations are provided with 3 holes in the back of its casing. Use these holes for installation in places like walls or non movable objects; anchoring to walls can be effected with screws. It is important to assure the secure and correct installation of the stations so they will not be removed by unauthorized personnel. If you use screws for installation be sure to cover the heads of the screws with fiberglass reinforced polyester or any epoxy resin at hand; after hardened, paint the heads with a strong color, it will expose and discourage tampering. Finally it is important to inspect all your stations on a periodic basis.

### OPERATION BY YOUR SECURITY GUARD

Every time your guard passes by a recording station, he must effect a recording with the numbered key, by inserting it into the clock's key housing and by turning it to the left until he hears a snap; this will generate an imprint of the number of the station on the paper dial. This imprint will appear aligned with the actual time which comes preprinted on the paper dial. This way when you open your clock to change the paper dial after each 72 hour period, you will have a complete record of your guard's tours (time & place).

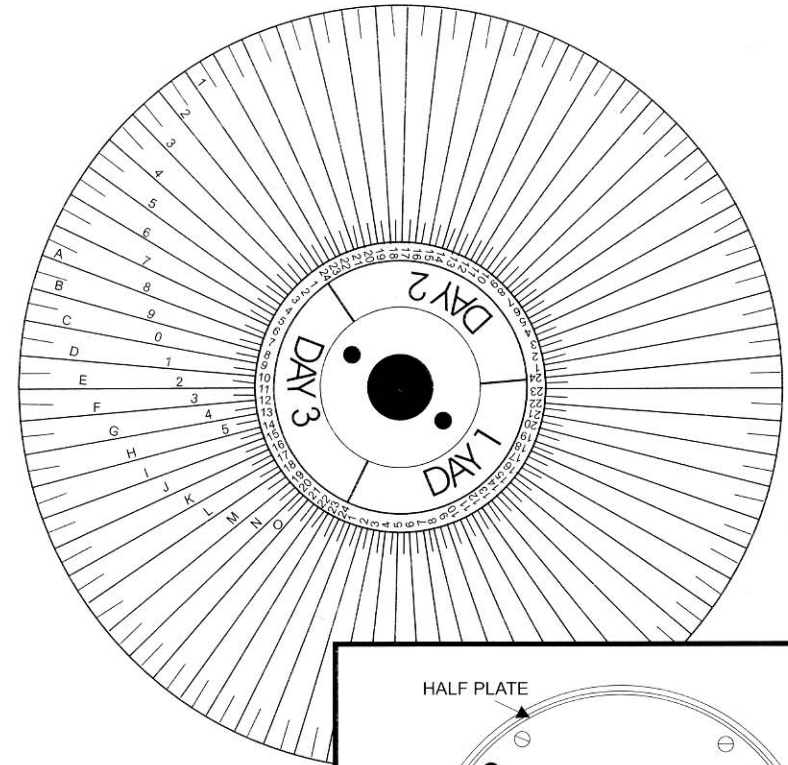
### NOTE:

We recommend tour duration periods to last from 45 to 60 minutes. High frequency long walking distance rounds will overtire your guard, causing a decrease in his alertness; procedure that will surely put his life in danger. It is also important to instruct your guard to never effect repetitive tour sequences; this will enable criminals to detect their sequence and its duration. Tours must be erratic and unpredictable.

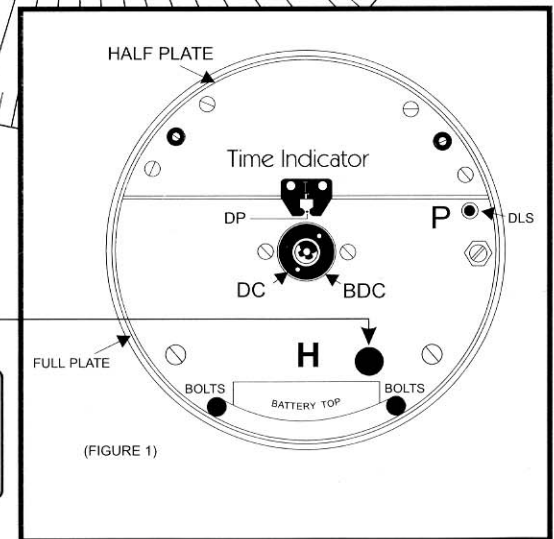
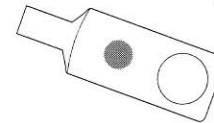
### MAINTENANCE

To obtain best results from your Watchman's Clock, we recommend yearly inspection, and thorough cleaning by an authorized dealer. For further information, please contact us or your nearest Dealer.

## INSTRUCTIONS 72 H WATCHMAN'S CLOCK



Hands key



TO CHANGE BATTERY:  
UNSCREW THE TWO BATTERY TOP BOLTS  
TAKE OFF TOP AND CHANGE BATTERY,  
THEN ASSEMBLE TOP AGAIN, USE ONE  
SIZE AA ALKALINE BATTERY